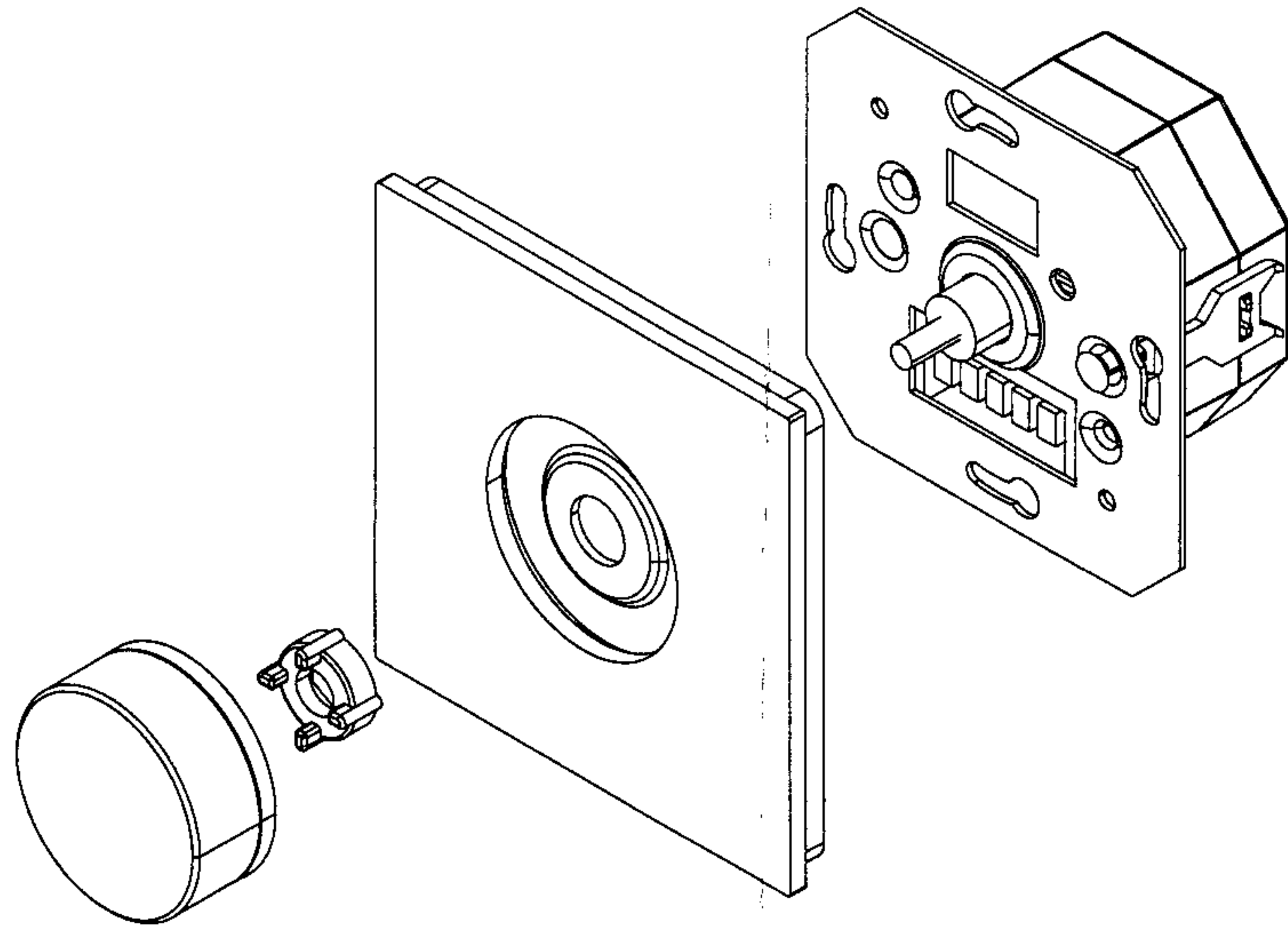


Installation



Wiring diagram

Figure 1: Wiring scheme to control up to 50 DALI ECG

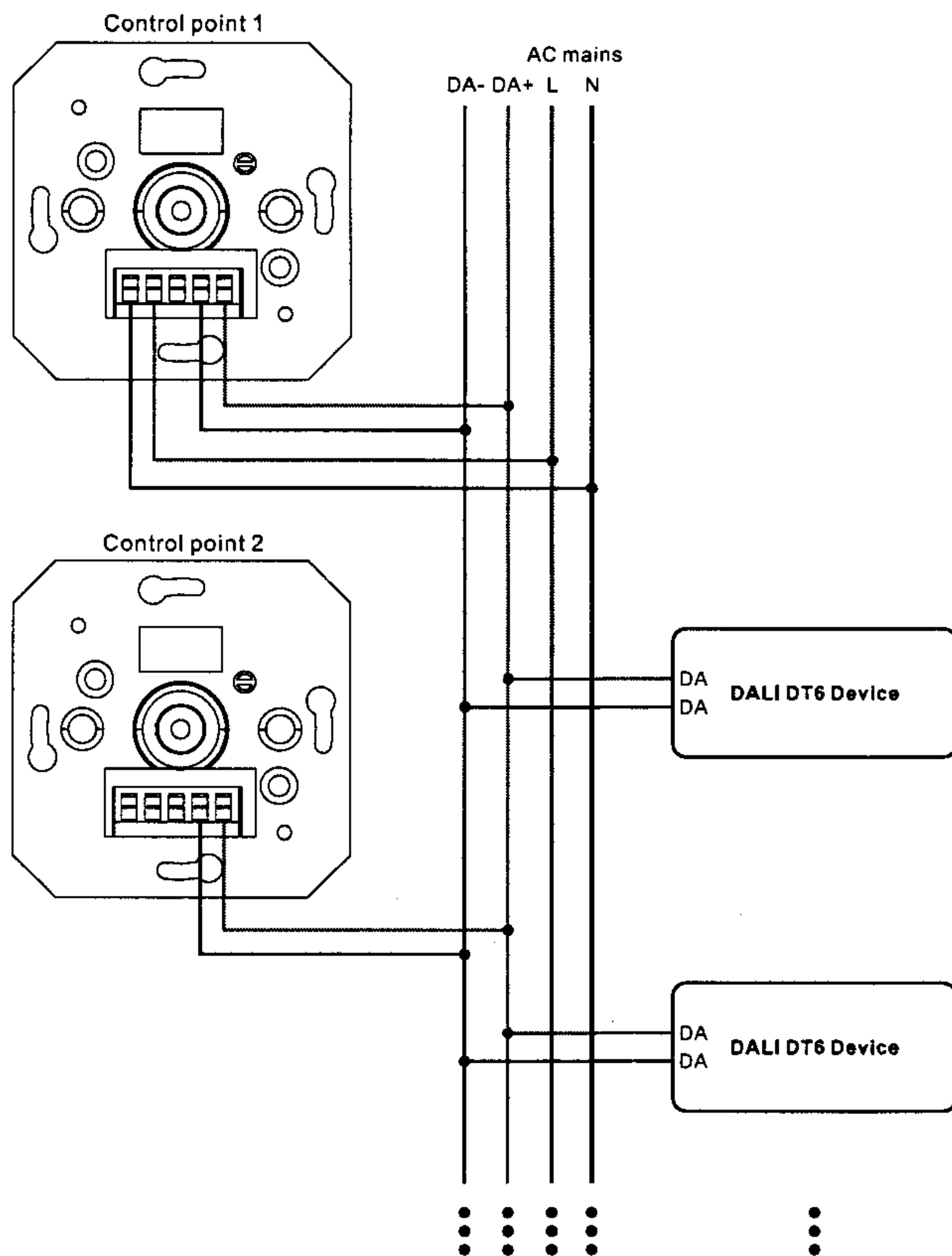
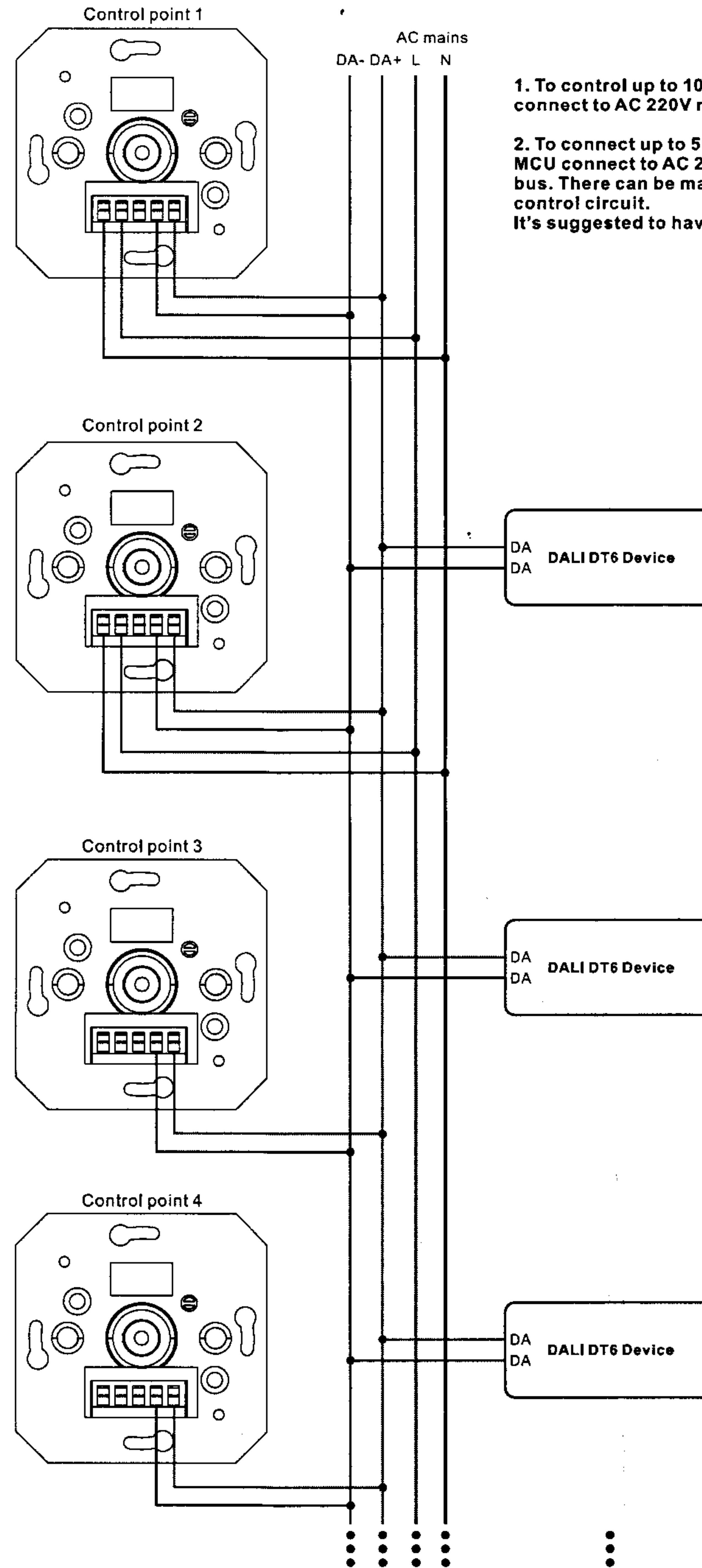


Figure 1: Wiring scheme with 2 MCUs powered by AC mains to control up to 100 DALI ECG



1. To control up to 100 ECG with the setup(Figure 2), there is 2 MCUs connect to AC 220V mains.
2. To connect up to 50 ECG with the setup(Figure 1), there is only 1 MCU connect to AC 220V mains, the other MCUs powered by DALI bus. There can be max 2 MCUs connected to the AC mains in the same control circuit. It's suggested to have max 4 MCUs totally in the same control circuit.