

ENGLISH INSTALLATION INSTRUCTIONS

ATTENTION:

The safety of this fixture is guaranteed only if you comply with these instructions; remember to conserve in a safe place.

WARRANTY:

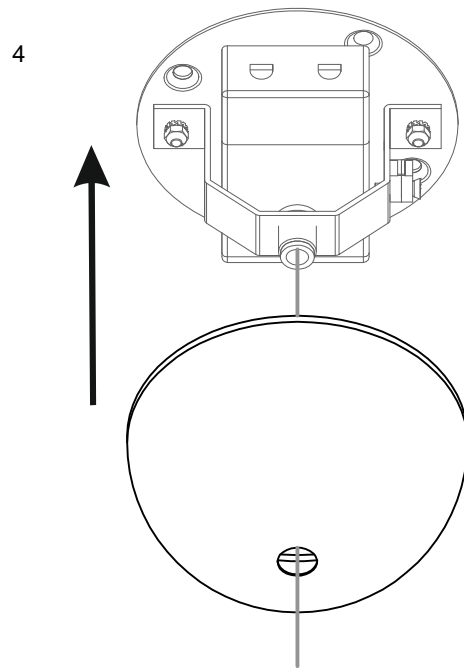
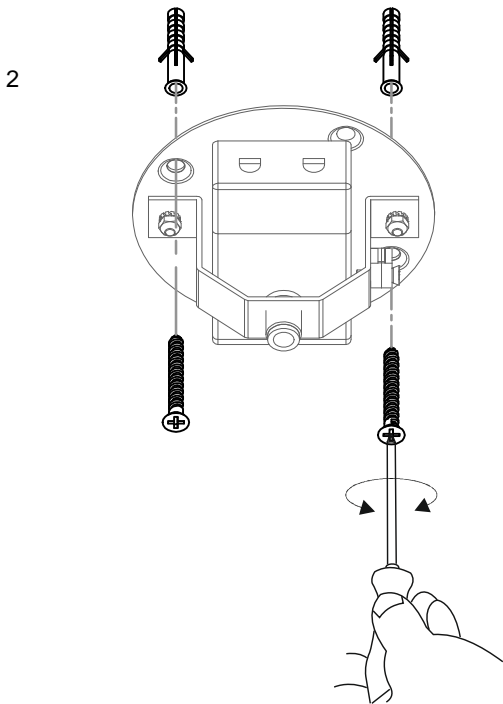
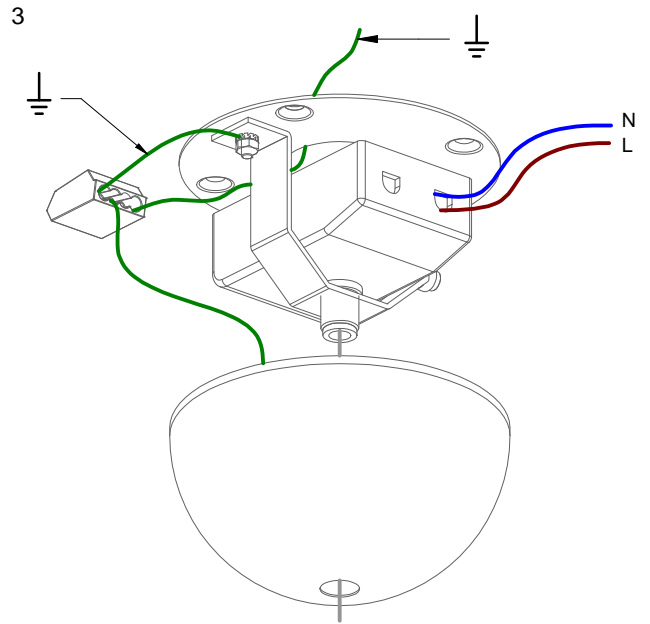
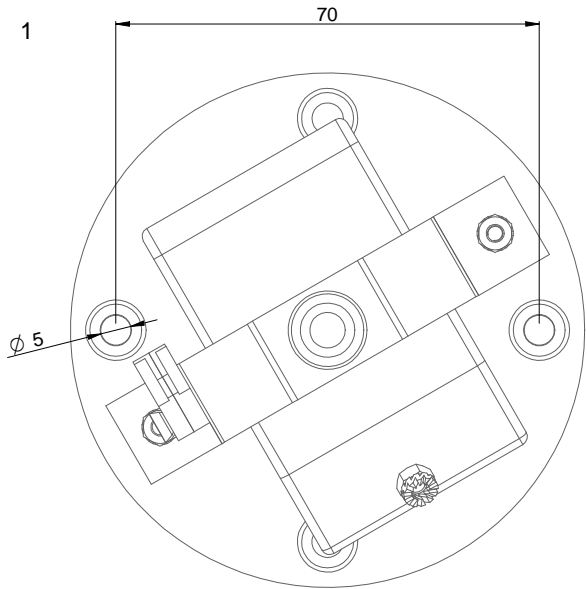
All power supply, wiring and accessories used for product installation shall be original Linea Light Group parts or approved by the company. The warranty will become void if non original or non approved parts are used.

SECURITY:

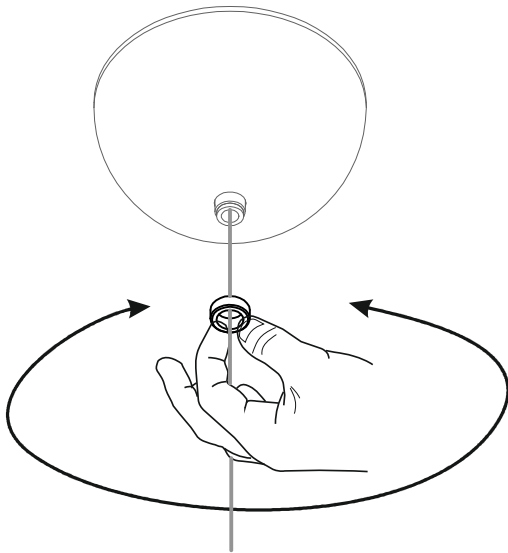
Installation and maintenance must be done when full power is switched off. All operations should be performed by a specialized technician. Modifications or handling of the product and the non-respect of the information below may be dangerous. The unit can reach high temperatures during operation and therefore any kind of physical contact must be avoided. The company Linea Light Srl assumes no responsibility for damages caused by a product installed not in accordance to instructions.

WARNINGS:

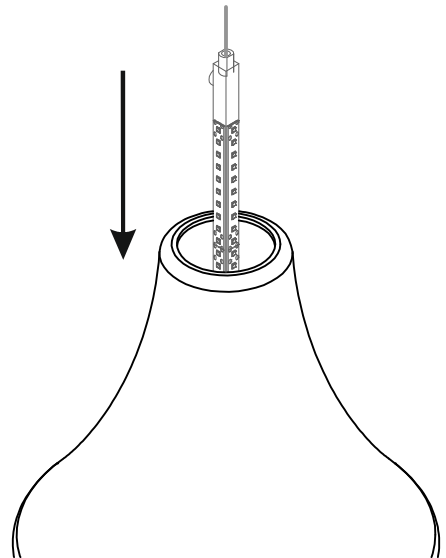
The light source of this lighting fixture cannot be replaced, so at end of light life please contact a Linea Light authorized service centre; Should the power supply cable need to be replaced, please contact a Linea Light authorized service centre.



5

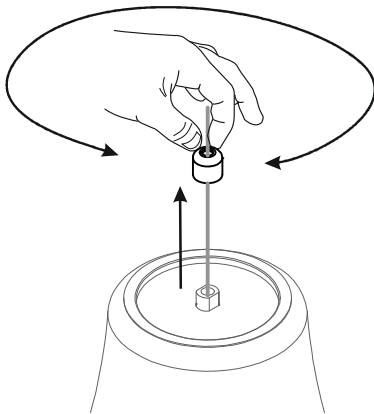


8

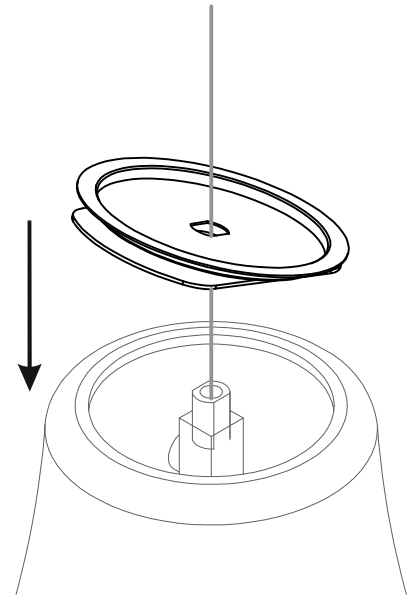


6

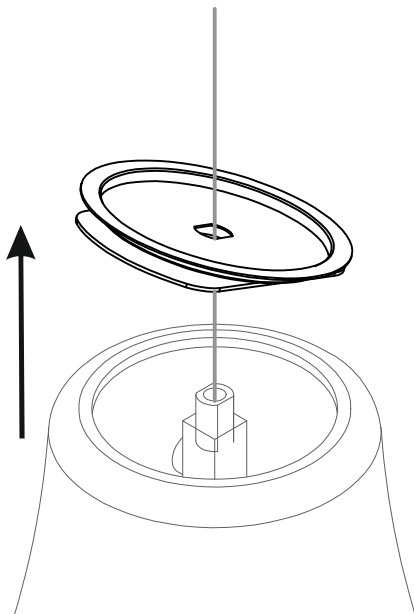
- Sostituzione diffusore
- Diffuser replacement
- Reposición del difusor
- Substitution de diffuseur
- Auswechseln Diffusor



9



7



10

