

1-10V Analogue Grid Controller Module

Requires standard 35mm back box.

This box includes:-

1xMK GridPlus™ (both look similar from front), 1 DETA, 1xCrabtree, & 2x12mm fixing screws

Read the instructions below carefully. Incorrect installation may damage the controller beyond repair. In case of any doubt or difficulty consult a qualified electrician.

Please refer to 1-10V Analogue Rotary controller overleaf for wiring information.

Assembly of Grid System

Identify the system that is being used, observing the plate loading rules above, and assemble the Grid as follows. Ensure the dimmer is mounted up the correct way (terminals at the top)

If a 6SGD630 is being fitted, insert a blank into the aperture that is unused.

MK Gridswitch System:

Screw the dimmer directly onto the metal grid.

MK GridPlus™ System:

NB- Tabs on rear of moulding

Place the metal grid between the adaptor and the dimmer and fix with screws.

DETA System:

NB- No tabs on rear of moulding

Place the metal grid between the adaptor and the dimmer and fix with screws.

Crabtree System:

Fix the adaptor onto the dimmer using one screw, then fit the assembly onto the metal grid using the remaining screw.

If you require adaptor plates for the discontinued MEM system please contact us

GUARANTEE

Important: In case of any defect return the dimmer to our service department. This guarantee is in addition to the statutory rights of the purchaser. Should any defect occur in this unit within 12 months of its purchase we will replace or repair the defective unit free of charge provided that:-

- The unit has been correctly fitted according to the instructions and has not been used incorrectly.
- The dimmer module has not been tampered with or taken apart. However for your convenience it is perfectly in order to remove a faulty dimmer module from multi-gang dimmers by pulling off the knob and unscrewing the nut under the knob. You will then still have the remaining modules working whilst we service your faulty module.
- The unit is securely packed and safely returned to:-

Service Department

LE Controls

Unit 2, Cefn Uchaf, Rhostrehwfa, Llangefni LL77YU

Tel: 01248 723573 Fax: 01248 751497 Web: www.lightingelec.co.uk

1-10V Analogue Rotary Controller Module

Read the instructions below carefully. Incorrect installation may damage the controller beyond repair. In case of any doubt or difficulty consult a qualified electrician.

Dimming of 1-10V ballasts requires the use of a special 1-10V Analogue controller.

These dimmers do not chop the mains waveform as per conventional phase dimmers, but they require the use of two interconnection cables, one to simply provide a switched feed to the luminaires as per a standard light-switch circuit, the other requires a screened cable to connect a variable analogue 1-10V d.c. control voltage, this operates such that, when the control voltage is at 10V then the lights are at maximum light level, when at 1V then the lights are at minimum light level. To switch the lights off, a switch contact must interrupt the feed to the luminaires to cut the power. When specifying controllers, it is necessary to check the loadings of both the 1-10V analogue and the switched-feed circuits individually. The analogue circuit can dim up to 50 ballasts if using the plate mounted or Grid controllers. Note that some luminaires may incorporate more than one ballast. These controllers do not incorporate a switch, therefore a separate switch must be provided which must be rated according to the full circuit load connected (see Diagram 1).

Note: 1-10V controllers provide negligible heat. Therefore their connected load can be disregarded when observing the loading rules table).

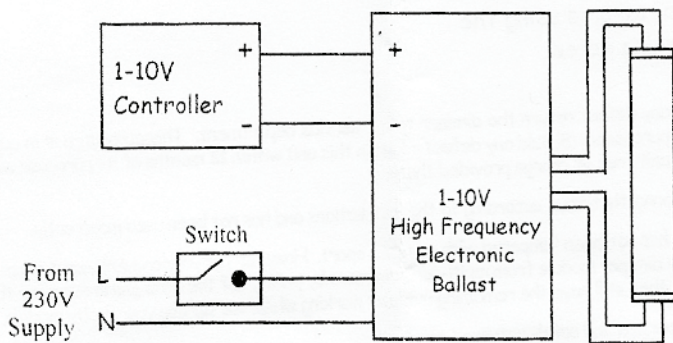


Diagram 1