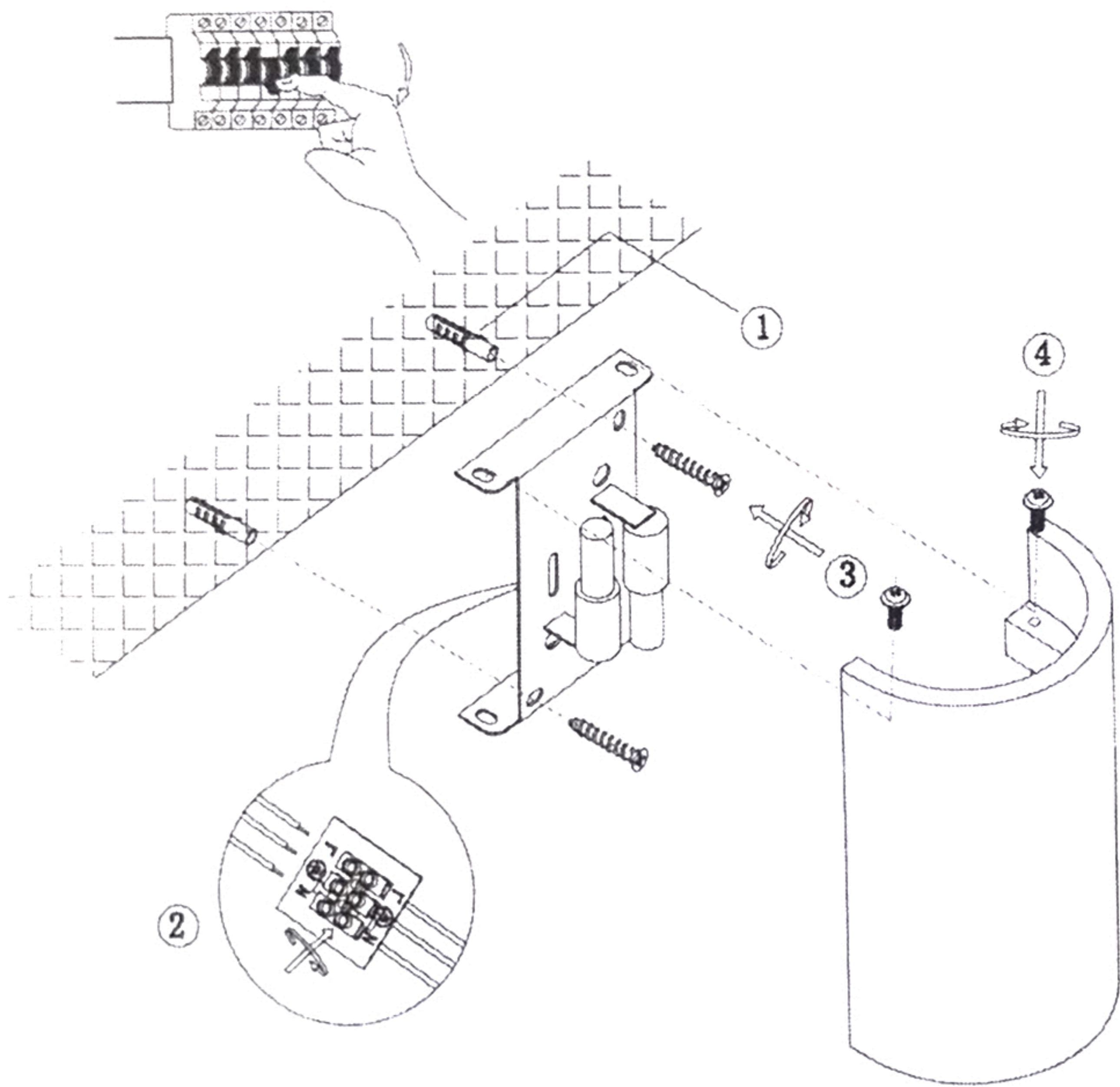


INSTALLATION DIAGRAM



1. Cut off the power supply. Punch the hole according to the support position at the installation position, and then install the expansion screw.

2. Connect the wires correctly.

3. Secure mounting bracket in installation position with self-tapping screws.

4. Screw the lamp housing onto the mounting bracket.

5. Install light source. End installation.

